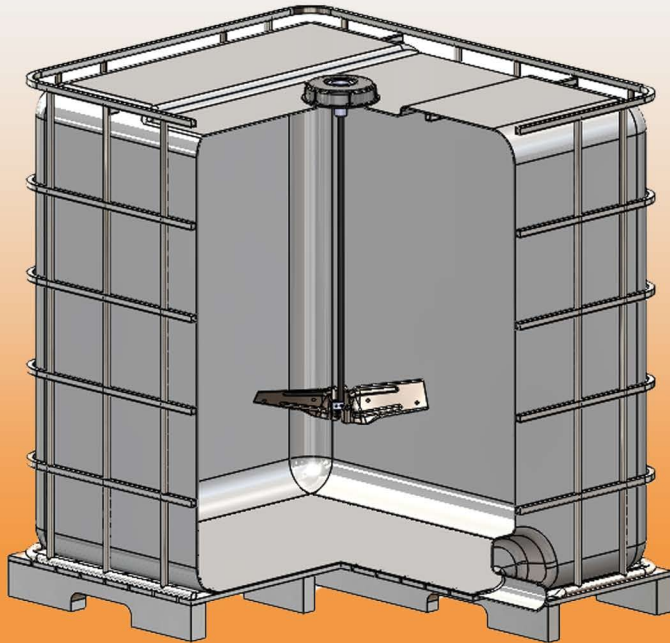


# IBC Tote Mixer

## #M-6-32-0-16-04-2-1



### Key Features

- Superior Mixing
  - Patented Even Mix™ Blades
  - 3D Mixing - Mixed Flow Blade
  - Creates Homogenous Mix
- Portable
  - 2 Pounds for Easy Handling
  - Easy to Install
  - Includes a 6" IBC Cap
- Compatible
  - Mixer is SS 316 - Food Grade Stainless
  - Interface is 7/16" Hex
  - Ready for Even Mix™ Air or Electric Drive
- Dimensions
  - Blades - Open to 16" in Center of IBC
  - Blades - 4" Tall Patented Variable Pitch
  - Shaft - 32" Long (standard for 275 gal)
  - Interface - Nylon Fitting inside a 6" Cap
- Warranty
  - 1 Year

