



# DRUM BUNG AIR GEARED MIXER

#A-B-29-0-15-02-3-1



## Superior Mixing

- Patented Even Mix™ Blades
- 3D Mixing - Mixed Flow Blade
- Mixes by Creating Circulation

### ▶▶ COMPATIBLE

- Mixer is SS 316 - Food Grade Stainless
- Drive has Wetted Parts Made of SS 316

### ▶▶ DIMENSIONS

- Blades - Open to 15" in Center of Drum
- Blades - 2" Tall Patented Variable Pitch
- Shaft - 29" Long - Angled to Drum Center
- Drive - 19" Tall & 5.5" Diameter

### ▶▶ WARRANTY

- One Year Warranty



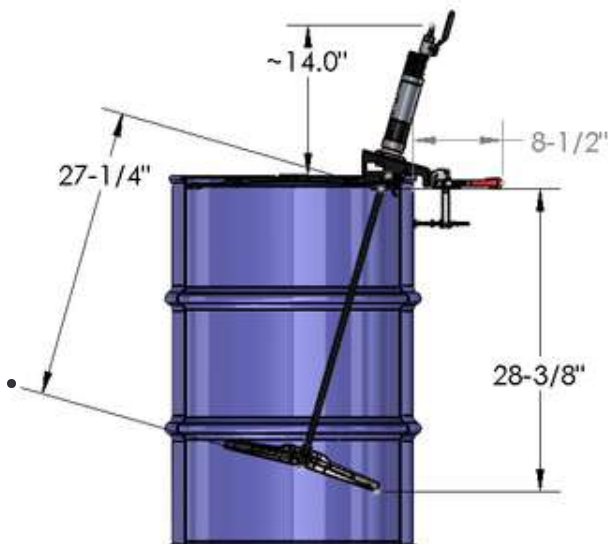
### PORTABLE

- 9 Pounds for Easy Handling
- Easy to Install



### HEAVY DUTY DRIVE

- 13 CFM @ 90 PSI Input
- 85:1 Gear Reduction & 150 RPM
- 1.25 HP & 43 NM Torque



# EvenMix

