



AIR GEAR DRIVE

#A-125-V-H-438



LOW WEIGHT

- 7 Pounds



HEAVY DUTY DRIVE

- 85:1 Gear Reduction & 150 RPM
- 1.25 HP & 43 NM Torque
- 13 CFM @ 90 psi Input

COMPATIBLE

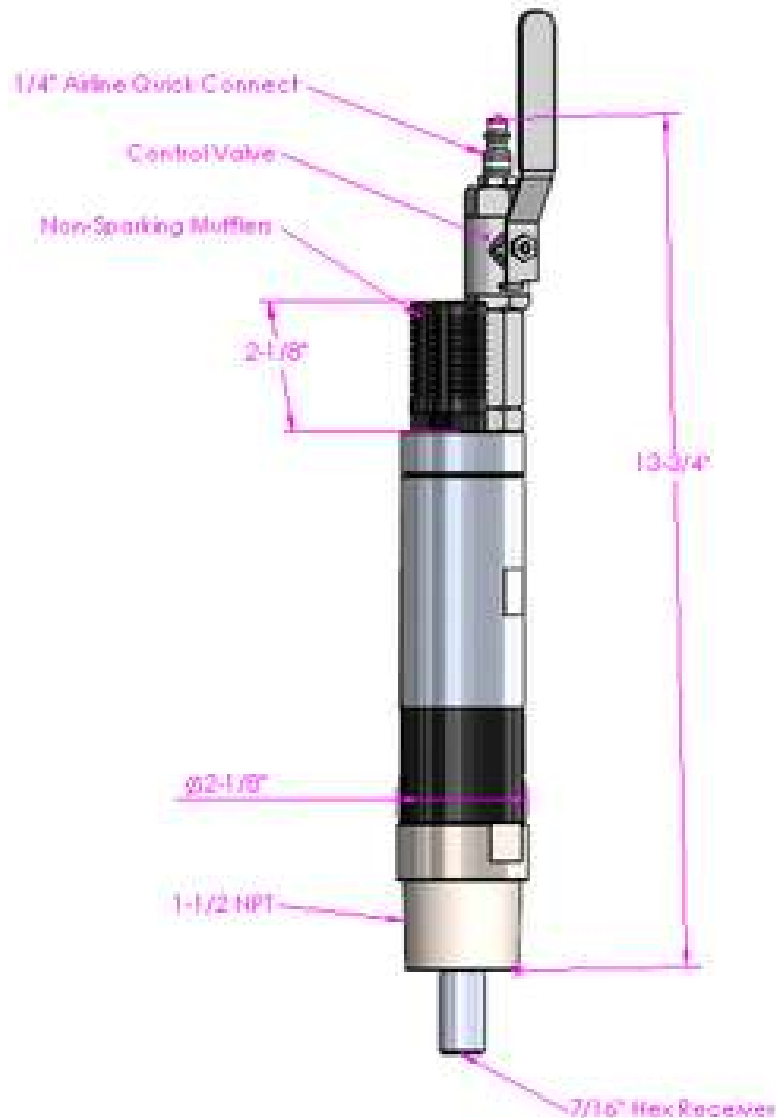
- Made of SS 316 - Food Grade Stainless
- Drive has Wetted Parts Made of SS 316

DIMENSIONS

- 14" Tall & 2.2" Diameter
- Output - 7/16" Hex

WARRANTY

- One Year Warranty



EvenMix

