



IBC TOTE AIR GEARED MIXER

#A-6-32-0-16-04-2-1



Superior Mixing

- Patented Even Mix™ Blades
- 3D Mixing - Mixed Flow Blade
- Mixes by Creating Circulation



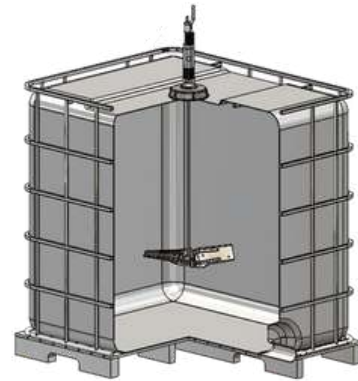
PORTABLE

- 9 Pounds for Easy Handling
- Easy to Install



HEAVY DUTY DRIVE

- 13 CFM @ 90 PSI Input
- 85:1 Gear Reduction & 150 RPM
- 1.25 HP & 43 NM Torque



COMPATIBLE

- Mixer is SS 316 - Food Grade Stainless
- Drive has Wetted Parts Made of SS 316

DIMENSIONS

- Blades - Open to 16" in Diameter
- Blades - 4" Tall Patented Variable Pitch
- Shaft - 32" Long & 7/16" Hex
- Drive - 14" Tall & 2.5" Diameter

WARRANTY

- One Year Warranty



EvenMix

