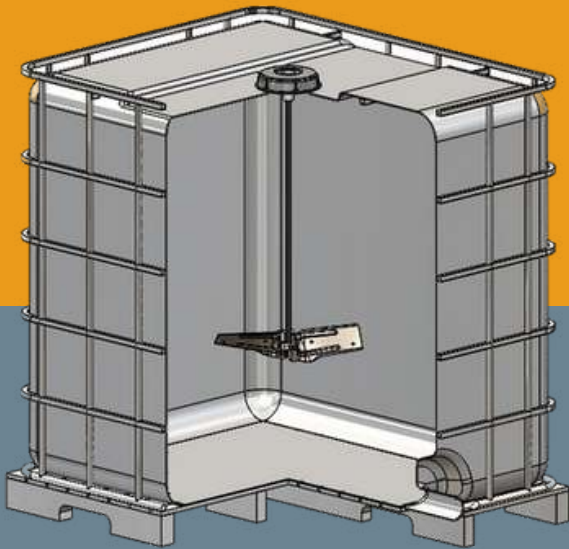




# IBC TOTE MIXER

#M-6-32-0-16-04-2-1



## Superior Mixing

- Patented Even Mix™ Blades
- 3D Mixing - Mixed Flow Blade
- Mixes by Creating Circulation



### PORTABLE

- 2 Pounds for Easy Handling
- Easy to Install

### COMPATIBLE

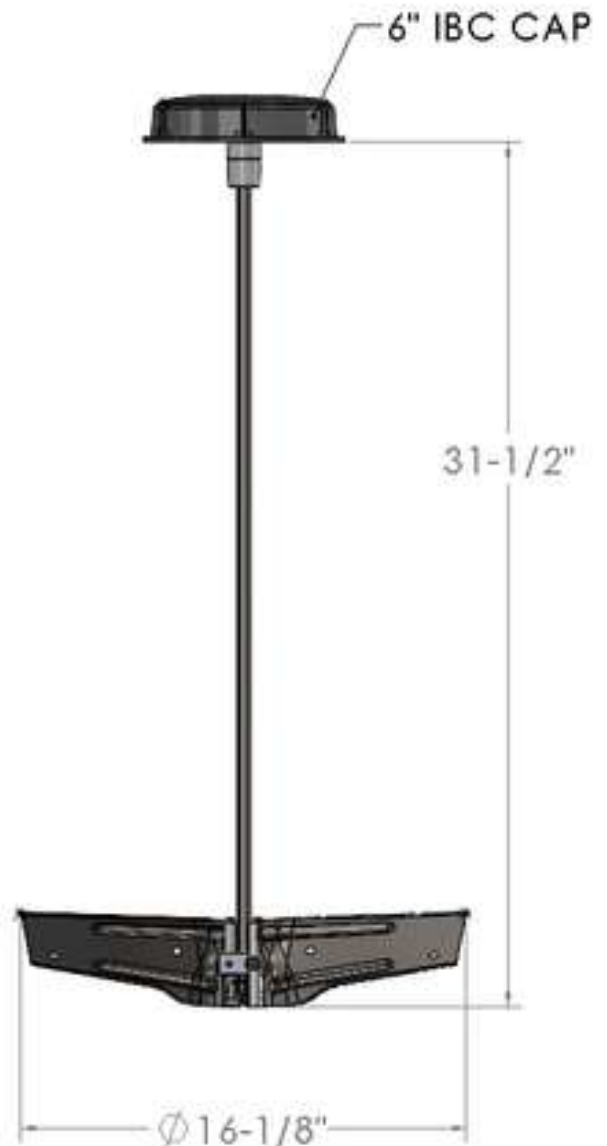
- Mixer is SS 316 - Food Grade Stainless
- Drive has Wetted Parts Made of SS 316
- Ready for EvenMix Air or Electric Drive
- Includes a 6" IBC Cap

### DIMENSIONS

- Blades - Open to 16" in Center of Drum
- Blades - 4" Tall Patented Variable Pitch
- Shaft - 32" Long
- Interface - Nylon Fitting Inside a 6" Cap

### WARRANTY

- One Year Warranty



# EvenMix



440-236-6677



info@evenmix.com



www.evenmix.com



Columbia Station, OH 44028

