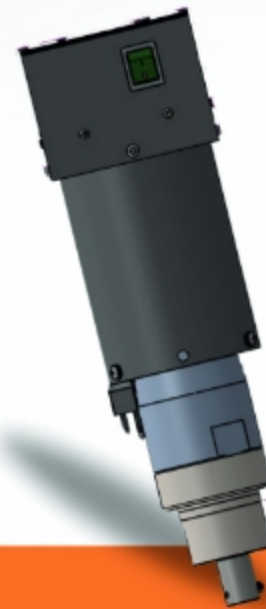


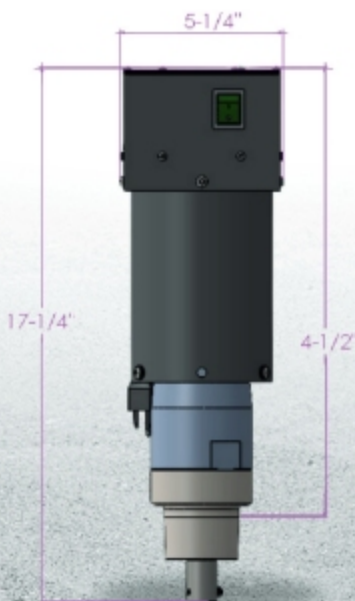


HEAVY DUTY ELECTRIC DRIVE

#D - 200 - V - H - 438



Superior Mixing Performance



PATENTED EVENMIX FOLDING BLADES
3D MIXING - CREATES HORIZONTAL AND VERTICAL CIRCULATION
ABLE TO MIX MATERIAL FROM 0 - 20,000+ CENTIPOISE



Portable

15 POUNDS FOR EASY HANDLING AND INSTALLATION



Heavy Duty and Efficient

120 V AC 4 AMP MAX INPUT 2 HP & 80 NM TORQUE
DC BRUSHLESS MOTOR 150:1 PLANETARY GEAR REDUCTION



Digital Drive Controls

SPEED CONTROL 1 TO 10 (30 TO 100 RPM)
RESISTANT TO WATER AND DUST
SLOW START MODE

FOUR VARIOUS DRIVE MODES

BASE: INPUT CONTROLLED REMOTE: TO SET SPEED WHILE POWERED
CYCLE: 1/2 HR ON - 1/2 OFF CYCLING 1 CYCLE: 1/2 HR ON THEN OFF



Compatibility

WET MATERIALS MADE FROM 300 SERIES STAINLESS STEEL
MODULAR DESIGN FOR MIXING IN DIFFERENT CONTAINERS



Dimensions

DRIVE: 17" TALL & 5' WIDE/DEEP



Warranty

ONE YEAR WARRANTY



+1(440)236-6677 info@evenmix.com www.evenmix.com

13676 Station Road,
Columbia Station, OH 44028