



# DRUM BUNG DIGITAL GEARED MIXER

#D-B-29-0-15-02-3-1



## Superior Mixing Performance



**PATENTED EVENMIX FOLDING BLADES**  
*3D MIXING - CREATES HORIZONTAL AND VERTICAL CIRCULATION*  
*ABLE TO MIX MATERIAL FROM 0 - 20,000+ CENTIPOISE*



### Portable

15-18 POUNDS FOR EASY HANDLING AND INSTALLATION



### Heavy Duty and Efficient

120 V AC 4 AMP MAX INPUT  
DC BRUSHLESS MOTOR

1 HP & 43 NM TORQUE  
150:1 PLANETARY GEAR REDUCTION



### Digital Drive Controls

SPEED CONTROL 1 TO 20 (30 TO 150 RPM)  
RESISTANT TO WATER AND DUST  
SLOW START MODE

#### FOUR VARIOUS DRIVE MODES

BASE: INPUT CONTROLLED

REMOTE: TO SET SPEED WHILE POWERED

CYCLE: 1/2 HR ON - 1/2 OFF CYCLING

1 CYCLE: 1/2 HR ON THEN OFF



### Compatibility

WET MATERIALS MADE FROM 300 SERIES STAINLESS STEEL  
MODULAR DESIGN FOR MIXING IN DIFFERENT CONTAINERS



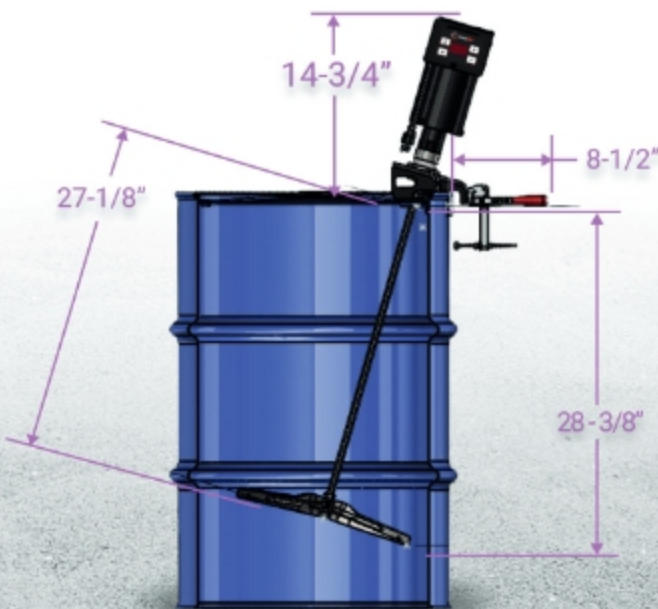
### Dimensions

BLADES: 15" x 2" PATENTED VARIABLE PITCH FOLDING BLADE SETS  
SHAFT: 29" LONG & 7/16" HEX  
DRIVE: 12" TALL & 5' WIDE/DEEP



### Warranty

ONE YEAR WARRANTY



+1(440)236-6677

info@evenmix.com

www.evenmix.com

13676 Station Road,  
Columbia Station, OH 44028