



CLAMP MOUNT DIGITAL GEARED MIXER

#D-O-32-0-16-04-1-1



Superior Mixing Performance

PATENTED EVENMIX FOLDING BLADES
*3D MIXING - CREATES HORIZONTAL
AND VERTICAL CIRCULATION*
ABLE TO MIX MATERIAL FROM 0 - 20,000+ CENTIPOISE



Portable

15-18 POUNDS FOR EASY HANDLING AND INSTALLATION



Heavy Duty and Efficient

120 V AC 4 AMP MAX INPUT
DC BRUSHLESS MOTOR

1 HP & 43 NM TORQUE
150:1 PLANETARY GEAR REDUCTION



Digital Drive Controls

SPEED CONTROL 1 TO 20 (30 TO 150 RPM)
RESISTANT TO WATER AND DUST
SLOW START MODE

FOUR VARIOUS DRIVE MODES

BASE: INPUT CONTROLLED

REMOTE: TO SET SPEED WHILE POWERED

CYCLE: 1/2 HR ON - 1/2 OFF CYCLING

1 CYCLE: 1/2 HR ON THEN OFF



Compatibility

WET MATERIALS MADE FROM 300 SERIES STAINLESS STEEL
MODULAR DESIGN FOR MIXING IN DIFFERENT CONTAINERS



Dimensions

BLADES: 16" x 4" PATENTED VARIABLE PITCH FOLDING BLADE SETS

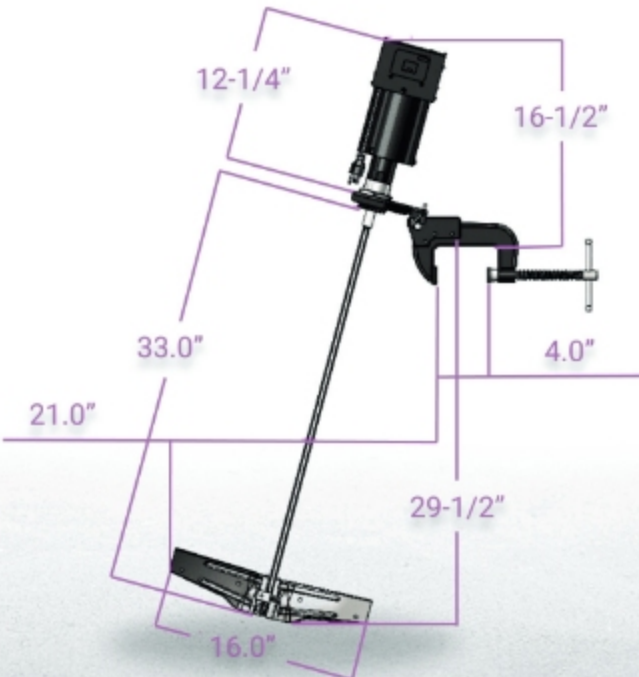
SHAFT: 32" LONG & 7/16" HEX

DRIVE: 12" TALL & 5" WIDE/DEEP



Warranty

ONE YEAR WARRANTY



+1(440)236-6677

info@evenmix.com

www.evenmix.com

13676 Station Road,
Columbia Station, OH 44028