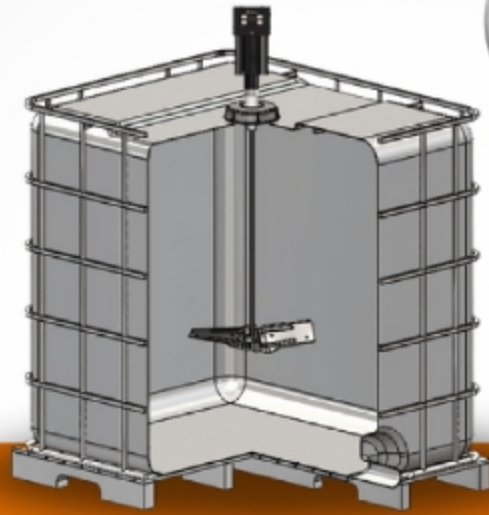


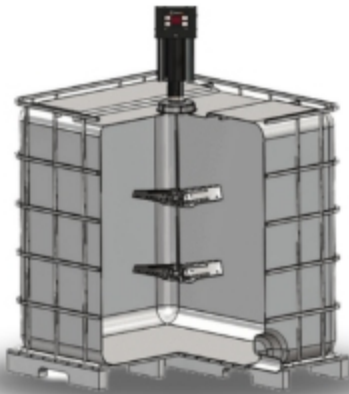


# IBC TOTE DIGITAL GEARED MIXER

SINGLE BLADE: #D-6-32-0-16-04-2-1  
DOUBLE BLADE: #D-6-32-0-16-04-2-2



## Superior Mixing Performance



**PATENTED EVENMIX FOLDING BLADES**  
*3D MIXING - CREATES HORIZONTAL AND VERTICAL CIRCULATION*  
*ABLE TO MIX MATERIAL FROM 0 - 20,000+ CENTIPOISE*



### Portable

15-18 POUNDS FOR EASY HANDLING AND INSTALLATION



### Heavy Duty and Efficient

120 V AC 4 AMP MAX INPUT      1 HP & 43 NM TORQUE  
DC BRUSHLESS MOTOR            150:1 PLANETARY GEAR REDUCTION



### Digital Drive Controls

SPEED CONTROL 1 TO 20 (30 TO 150 RPM)  
RESISTANT TO WATER AND DUST  
SLOW START MODE  
**FOUR VARIOUS DRIVE MODES**  
BASE: INPUT CONTROLLED      REMOTE: TO SET SPEED WHILE POWERED  
CYCLE: 1/2 HR ON - 1/2 OFF CYCLING      1 CYCLE: 1/2 HR ON THEN OFF



### Compatibility

WET MATERIALS MADE FROM 300 SERIES STAINLESS STEEL  
MODULAR DESIGN FOR MIXING IN DIFFERENT CONTAINERS



### Dimensions

BLADES: 16" x 4" PATENTED VARIABLE PITCH FOLDING BLADE SETS  
SHAFT: 32" LONG & 7/16" HEX  
DRIVE: 12" TALL & 5" WIDE/DEEP



### Warranty

ONE YEAR WARRANTY

