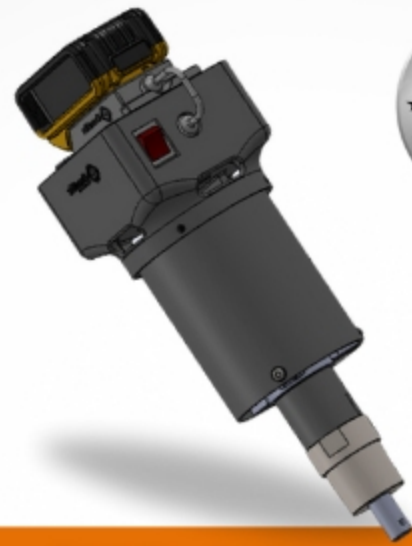


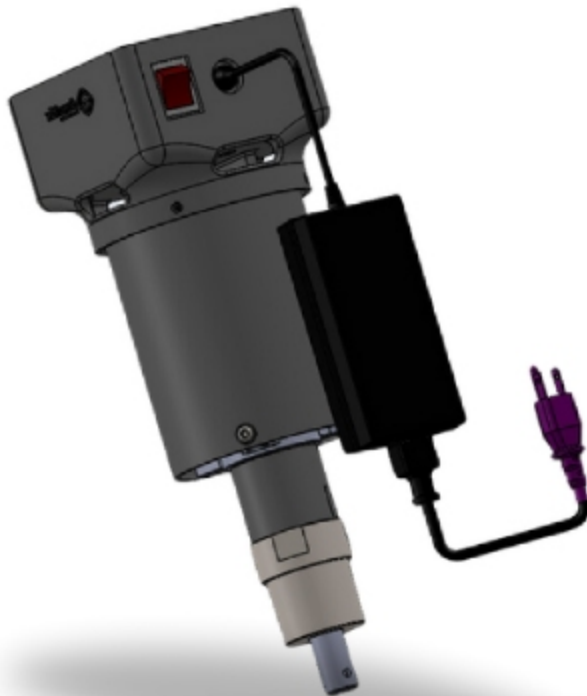


# ELECTRIC POWERED GEARED DRIVE

#D-100-V-H-438



Various Power Sources - 20v Battery/110v/220v



## BATTERY OR CORD POWERED

PORTABLE MIXER

PATENTED 3D MIXING

DEWALT 20V 6Ah BATTERY - MIX MOLASSES FOR 1 HR



### Portable

12 POUNDS FOR EASY HANDLING AND INSTALLATION



### Rugged and Efficient

DC BRUSHLESS MOTOR

150:1 PLANETARY GEAR REDUCTION



### Digital Drive Controls

SPEED CONTROL 1 TO 20 (30 TO 150 RPM)

RESISTANT TO WATER AND DUST

SLOW START MODE - FOUR VARIOUS DRIVE MODES



### Compatibility

#### 3 POWER OPTIONS

20V BATTERY\*

(\*ADAPTER REQUIRED)

110V DIRECT PLUG

220V POWER ADAPTER - UL - CE CERT\*

WET MATERIALS MADE FROM 300 SERIES STAINLESS STEEL

MODULAR DESIGN FOR MIXING IN DIFFERENT CONTAINERS



### Dimensions

DRIVE: 12" TALL & 5' WIDE/DEEP



### Warranty

ONE YEAR WARRANTY

## Versatile Power Options



110V POWER CORD



20V BATTERY



220V POWER BRICK



+1(440)236-6677

info@evenmix.com

www.evenmix.com

4641 Spring Rd,  
Cleveland, OH 44131