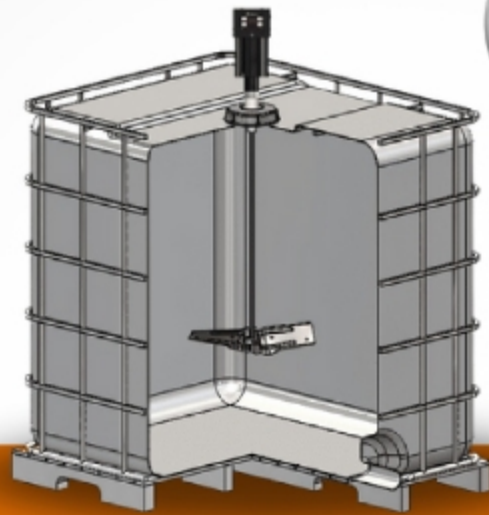


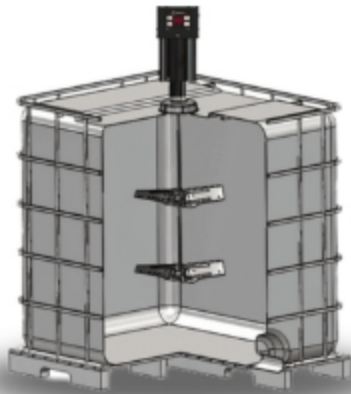


IBC TOTE DIGITAL GEARED MIXER

SINGLE BLADE: #D-6-32-0-16-04-2-1
DOUBLE BLADE: #D-6-32-0-16-04-2-2



Superior Mixing Performance



PATENTED EVENMIX FOLDING BLADES
3D MIXING - CREATES HORIZONTAL AND VERTICAL CIRCULATION
ABLE TO MIX MATERIAL FROM 0 - 20,000+ CENTIPOISE



Portable

15-18 POUNDS FOR EASY HANDLING AND INSTALLATION



Heavy Duty and Efficient

120 V AC 4 AMP MAX INPUT 1 HP & 43 NM TORQUE
DC BRUSHLESS MOTOR 150:1 PLANETARY GEAR REDUCTION



Digital Drive Controls

SPEED CONTROL 1 TO 20 (30 TO 150 RPM)
RESISTANT TO WATER AND DUST
SLOW START MODE

FOUR VARIOUS DRIVE MODES

BASE: INPUT CONTROLLED **REMOTE:** TO SET SPEED WHILE POWERED
CYCLE: 1/2 HR ON - 1/2 OFF CYCLING **1 CYCLE:** 1/2 HR ON THEN OFF



Compatibility

WET MATERIALS MADE FROM 300 SERIES STAINLESS STEEL
MODULAR DESIGN FOR MIXING IN DIFFERENT CONTAINERS



Dimensions

BLADES: 16" x 4" PATENTED VARIABLE PITCH FOLDING BLADE SETS
SHAFT: 32" LONG & 7/16" HEX
DRIVE: 12" TALL & 5" WIDE/DEEP



Warranty

ONE YEAR WARRANTY



+1(440)236-6677 info@evenmix.com www.evenmix.com

4641 Spring Rd,
Cleveland, OH 44131